

SaturOx[®]

Oxygenator developed by Artec Aqua AS



The SaturOx[®] OC series is cone-shaped and is available for working pressures of up to 2 bar for LP and 4 bar for HP systems. They are designed for water flow rates of 250 to 2,340 l/min. When SaturOx[®] is connected to a pressurising/pump station for water that produces pressure in the recommended range, it will dispense oxygen doses for dissolution in the water.

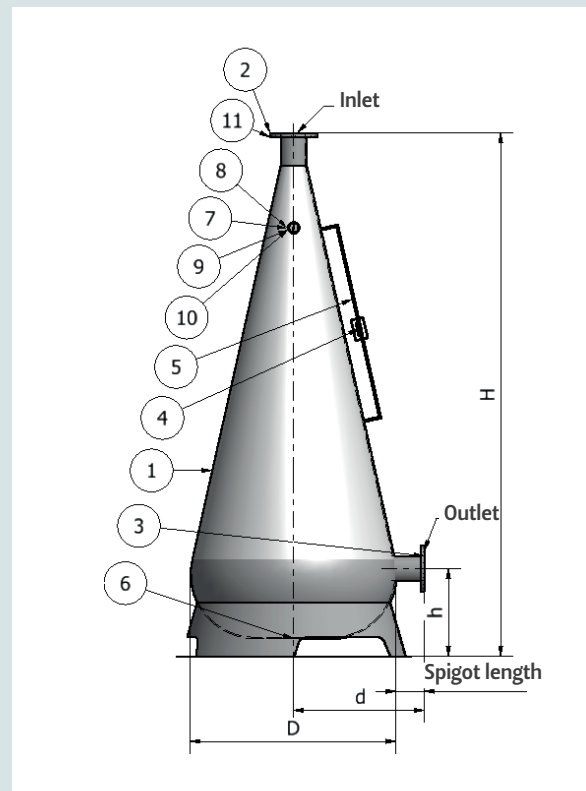
VARIOX IS NORMALLY DELIVERED WITH:

- Ejector at the inlet
- Pressure gauge
- Venting valve
- Safety valve
- O₂ inlet with non-return valve
- Bottom drainage valve

SaturOx[®] oxygenator

COMPONENTS

1. **SaturOx[®] glassfibre tank:** Manufactured by Artec Aqua AS
2. **Inlet:** Water inlet
3. **Outlet:** SaturOx[®] can be delivered with a diaphragm valve or butterfly valve at the outlet for regulation of water flow or pressure
4. **Capacity transmitter:** Is recommended and can be delivered together with SaturOx[®] for dosing oxygen.
5. **Level gauge:** Comes with a transparent hose/tube for reading the level. Where there is a risk of frost, the level glass needs to be protected by an incorporated heating cable
6. **Drainage:** Valve or plug at the bottom for draining the SaturOx[®] cone
7. **Venting:** Valve at the top for venting SaturOx[®] when it is being filled or emptied
8. **Pressure gauge:** Pressure gauge shows working pressures of between 0 and 6 bar for SaturOx[®]
9. **Oxygen inlet:** Oxygen inlet point fitted with a non-return valve
10. **Safety valve:** Installed on the oxygen inlet – 3 bar for LP and 5 bar for HP systems.
11. **Ejector:** Mounted on the inlet



Dimentiones		Oxygen Cone Low Pressure (OCLP) 2.0 [Bar]				Oxygen Cone High Pressure (OCHP) 4.0 [Bar]			
Size/Type SaturOx [®]		OCLP 30	OCLP 60	OCLP 110	OCLP 140	OCHP 30	OCHP 60	OCHP 110	OCHP 140
Max. Water flow [m ³ /h]		30	60	110	140	30	60	110	140
Flange inlet/outlet [DN]		100	125	125	150	100	125	125	150
h [mm]		410	415	470	540	410	415	470	540
H [mm]		1740	2200	2700	3200	1740	2200	2700	3200
Neck measure [mm]		180	130	55	55	180	130	55	55
d center cone to outlet [mm]		428.5	563.5	669	790	428.5	563.5	669	790
D [mm]		637	870	1058	1260	637	870	1058	1260
Spigot length outlet [mm]		110	128.5	140	160	110	128.5	140	160
Volume [L]		237	518	843	1597	237	518	843	1597
Ejector	"Standard	E0550	E1050	E1850	E2450	E0550	E1050	E1850	E2450
	Alt. 1"	E0380	E0850	-	-	E0380	E0850	-	-
	Alt. 2	E0290	E0680	-	-	E0290	E0680	-	-
Oxygen inlet	Opening pressure return valve	2 bar	2 bar	2 bar	2 bar	0.2 bar	0.2 bar	0.2 bar	0.2 bar
	Inlet dimation	8 mm	15 mm	15 mm	15 mm	15 mm	15 mm	22 mm	22 mm
	Oxy-Flex	8/5	15/11	15/11	15/11	15/11	15/11	22/16	22/16
	PUR	8/5	15/11	-	-	15/11	-	-	-
Safety valve	Opening pressure safety valve	3 bar	3 bar	3 bar	3 bar	5 bar	5 bar	5 bar	5 bar
Temperature		Oxygen uptake - kg/h				Oxygen uptake - kg/h			
		500 lpm	1000 lpm	1840 lpm	2340 lpm	500 lpm	1000 lpm	1840 lpm	2340 lpm
05 °C		1.8	3.6	6.6	8.4	3.6	7.2	13.2	16.8
10 °C		1.6	3.2	5.8	7.4	3.2	6.4	11.7	14.8
15 °C		1.4	2.8	5.2	6.6	2.8	5.7	10.4	13.3
20 °C		1.3	2.6	4.7	6	2.6	5.1	9.4	12