

Helios fish grader

Gentle and efficient fish grading



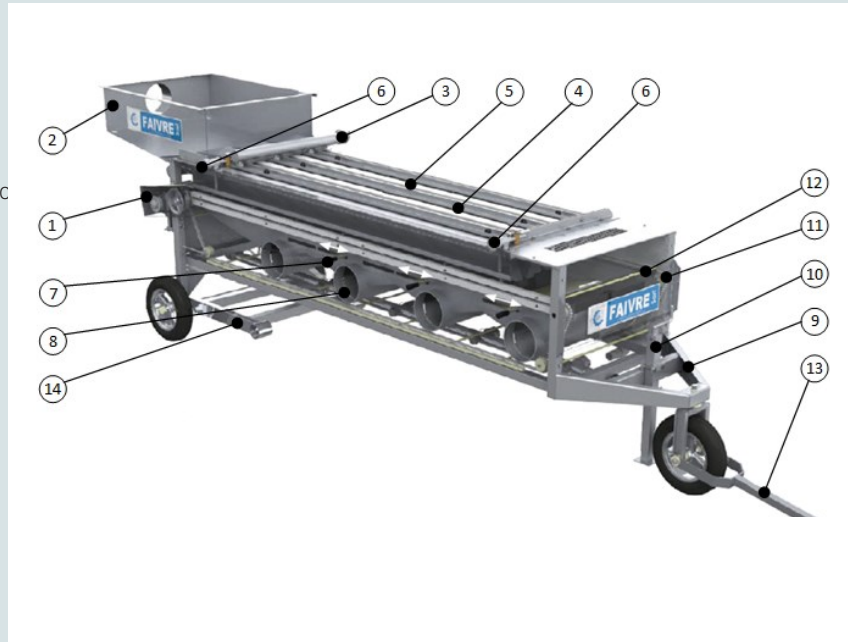
The machine is placed at an angle, depending on water temperature and fish size. If the fish fails to move forward along the chute, a gentle 'finger' will push the fish forward until the opening is large enough for the fish to fall through and be guided back to its tank. Such machines have been used for more than 40 years, and have been developed to become the well-functioning machines they are today.

- Many models to meet many different needs
- Made of Finish quality steel with very few moveable parts
- High reliability and long service life.
- Produced by Faivre, the French quality manufacturer
- Artec Aqua AS is Norwegian importer of Helios fish grading machines

Helios fish grader

COMPONENTS

1. Gear motor IP 55
2. Inlet hopper
3. Water inlet
4. Grading table
5. Water ramp into each channel for
6. Adjustment vernier for size
7. Adjustable receiving hoppers
8. Fish outlets
9. Stainless steel frame
10. Front lifting device
11. Conveyor chute
12. Conveyor chain
13. Pull rod
14. Rear lifting device



Grader	Helios 10	Helios 100	Helios 25	Helios 30	Helios 40	Helios 400	Helios 50	Helios 60	Helios 600
Number of channels	5	8	2	3	3	5	3	2	3
Number of sizes	4	4	3	3	4	4	3	3	3
Length of sorting channels (mm)	1600	1600	2000	2000	2500	2500	2400	2400	2400
Max channels opening (mm)	28	28	42	42	65	65	75	120	120
Number of outlets Ø (mm)	8 x Ø125	8 x Ø125	6 x Ø160	6 x Ø160	8 x Ø200	8 x Ø200	6 x Ø250	6 x Ø250	6 x Ø250
Weight, min/max Trout/Salmon/Bass	1 g – 120 g	1 g – 120 g	5 g – 400 g	5 g – 800 g	5 g – 1.5 kg	5 g – 1.5 kg	10 g – 2.5 kg	150g – 4 kg	150 g – 4 kg
Hourly rate (tonnes/hour)	0.1 – 1	0.1 – 1.5	1 – 3	2 – 4	3 – 5	4 – 6	3 – 6	4 – 6	5 – 8
Grader weight (kg)	260	450	210	300	480	520	500	530	660
Dimensions (m)	3.3 x 1.00	3.3 x 1.58	3 x 0.92	3.5 x 0.95	3.9 x 1.00	3.9 x 1.70	3.7 x 1.2 0	3.7 x 1.20	3.7 x 1.80
Height (m)	1.40	1.40	1.1	1.3	1.3	1.5	1.5	1.5	1.5
Motor power (kW) 220 V 1ph (50 Hz/60 Hz) / 380 V 3ph (50 Hz/60 Hz)	0.25	0.25	0.37	0.25	0.37	0.37	0.55	0.55	0.55
Recommended pump capacity (m ³ /time)	20	30	20	35	40	50	50	50	60

