

DeGasso[®] MV

Vacuum aerator, part-stream aeration under 50% vacuum



Aerates a part stream under 50% atmospheric pressure.
Aeration of a part stream corresponding to 10% of the total water volume will usually reduce saturation by 5%.

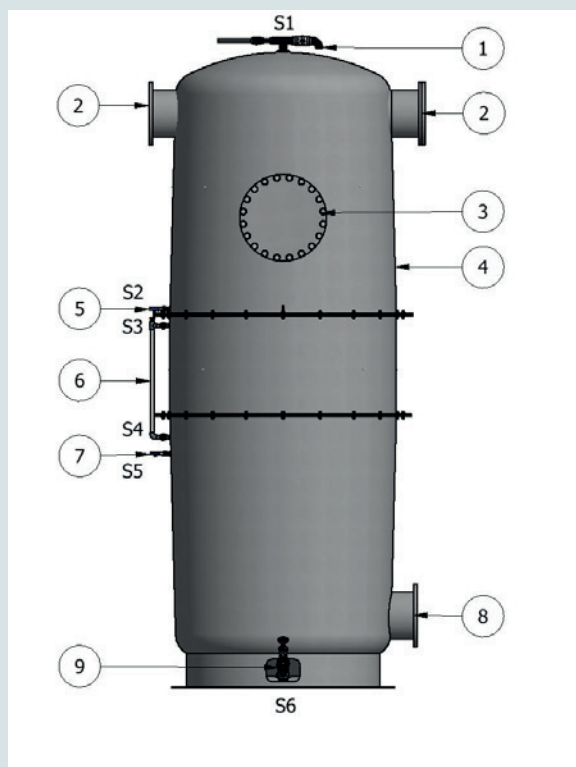
BENEFITS:

- DeGasso[®] MV is a container for reducing the nitrogen content of oversaturated water.
- The solution is suitable for facilities where the input pressure is too low for in-line aeration, as less energy is required to aerate a part stream.
- DeGasso[®] MV requires little space and is widely used as a supplement where existing column aerators are not effective enough.
- It can be controlled, if necessary, by use of a controller, PLC or frequency converter.

COMPONENTS

1. Pipe connector for BlowerRack/safety valve
2. Water inlet (flange at both ends of the pipe, blind flange at one end)
3. Manhole
4. DeGasso[®] MV glassfibre tank
5. Pressure transmitter
6. Level gauge
7. Pressure transmitter
8. Outlet for aerated water
9. Drainage

A water volumeter is recommended and can be delivered together with DeGasso[®] MV for regulation of the water volume. Should be installed in front of the inlet valve.



A STANDARD DELIVERY OF DEGASSO[®] MV NORMALLY INCLUDES:

- Safety valve
- Bottom drain valve
- Volumeter
- BlowerRack with backup blower
- Pressure transmitter for level gauging
- Level glass
- Operating temperature: 0–30° C
- Maximum pressure: 0.5 barg
- Maximum vacuum: -0.5 barg

Connection pipes and threaded connections									
Pos.	Description	DeGasso [®] MV 600	DeGasso [®] MV 800	DeGasso [®] MV 1000	DeGasso [®] MV 1250	DeGasso [®] MV 1700	DeGasso [®] MV 2000	DeGasso [®] MV 2500	DeGasso [®] MV 3000
S-1	Pipe connector for vacuum panel	2"	2"	2"	2"	2"	2"	2"	2"
S-2	Pipe connector for pressure gauge/transmitter	1"	1"	1"	1"	1"	1"	1"	1"
S-3	Pipe connector for level gauge	1"	1"	1"	1"	1"	1"	1"	1"
S-4	Pipe connector for level gauge	1"	1"	1"	1"	1"	1"	1"	1"
S-5	Pipe connector for pressure gauge/transmitter	1"	1"	1"	1"	1"	1"	1"	1"
S-6	Pipe connector for drainage	1"	1"	1"	1"	2"	2"	2"	2"
Inlet	Inlet DN	125	150	200	250	300	400	500	2x400
Out	Outlet DN (closed tank)	125	150	200	250	300	400	500	600
MH	Manhole Ø	-	-	600	600	600	600	600	600
Capacity in l/min	'Clean' water	1000	1800	2900	4600	8500	11900	18800	26700
	Humus water	700	1200	1950	3000	5700	7900	12500	17700
	Seawater	500	900	1450	2300	4250	5950	9400	13350
Material		Glassfibre	Glassfibre	Glassfibre	Glassfibre	Glassfibre	Glassfibre	Glassfibre	Glassfibre
Diameter		600	800	1000	1250	1700	2000	2500	3000
Total height in mm		3320	3630	4150	4545	5185	5700	6800	7400