

DeGasso[®] LV

Vacuum aerator, in line at 5% vacuum



Aerates the water stream to the right saturation level.

Water volumes from 500–26,700 litres.

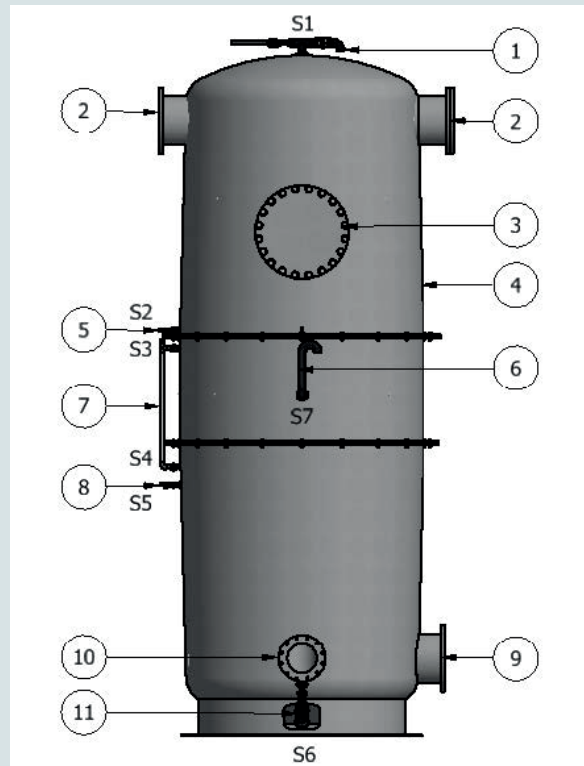
BENEFITS:

- DeGasso[®] LV is a container for reducing the nitrogen content of over-saturated water.
- The solution is particularly suitable for preventing oversaturation in water that has been heated.
- DeGasso[®] LV is highly reliable and can often be operated without a pumping station.
- It can be controlled, if necessary, by means of a controller, PLC or frequency converter.

COMPONENTS

1. Pipe connector for BlowerRack/safety valve
2. Water inlet (flange at both ends of the pipe, blind flange at one end)
3. Manhole
4. DeGasso® LV glassfibre tank
5. Pressure transmitter
6. Goose neck
7. Level gauge
8. Pressure transmitter
9. Outlet for aerated water
10. Overflow
11. Drainage

A water flowmeter is recommended and can be delivered together with DeGasso® LV for regulation of the water volume. Should be installed in front of the inlet valve.



A STANDARD DELIVERY OF DEGASSO® LV NORMALLY INCLUDES:

- Safety valve
- Bottom drain valve
- Flowmeter
- BlowerRack with backup blower
- Pressure transmitter for level gauging
- Level glass
- Operating temperature: 0–30° C
- Maximum pressure: 0.05 barg
- Maximum vacuum: –0.05 barg

| Connection pipes and threaded connections | | | | | | | | | |
|---|---|--------------------------|-----------------|------------------|------------------|------------------|------------------|------------------|------------------|
| Pos. | Description | DeGasso® LV 600 | DeGasso® LV 800 | DeGasso® LV 1000 | DeGasso® LV 1250 | DeGasso® LV 1700 | DeGasso® LV 2000 | DeGasso® LV 2500 | DeGasso® LV 3000 |
| S-1 | Pipe connector for vacuum panel | 2" | 2" | 2" | 2" | 2" | 2" | 2" | 2" |
| S-2 | Pipe connector for pressure gauge/transmitter | 1" | 1" | 1" | 1" | 1" | 1" | 1" | 1" |
| S-3 | Pipe connector for level gauge | 1" | 1" | 1" | 1" | 1" | 1" | 1" | 1" |
| S-4 | Pipe connector for level gauge | 1" | 1" | 1" | 1" | 1" | 1" | 1" | 1" |
| S-5 | Pipe connector for pressure gauge/transmitter | 1" | 1" | 1" | 1" | 1" | 1" | 1" | 1" |
| S-6 | Pipe connector for drainage | 1" | 1" | 1" | 1" | 2" | 2" | 2" | 2" |
| S-7 | Goose neck | – | – | 1" | 1" | 2" | 2" | 2" | 2" |
| Inlet | Inlet DN | 125 | 150 | 200 | 250 | 300 | 400 | 500 | 2x400 |
| Out | Outlet DN (closed tank) | 125 | 150 | 200 | 250 | 300 | 400 | 500 | 600 |
| MH | Manhole Ø | – | – | 600 | 600 | 600 | 600 | 600 | 600 |
| OL | Overflow | Integral flange DN80 GUP | Sleeve Ø110 PVC | Sleeve Ø125 PVC | Sleeve Ø160 PVC | Sleeve Ø200 PVC | Sleeve Ø250 PVC | Sleeve Ø315 PVC | Sleeve Ø400 PVC |
| Capacity l/min. | 'Clean' water | 1 000 | 1 800 | 2 900 | 4 600 | 8 500 | 11 900 | 18 800 | 26 700 |
| | Humus water | 700 | 1 200 | 1 950 | 3 000 | 5 700 | 7 900 | 12 500 | 17 700 |
| | Seawater | 500 | 900 | 1 450 | 2 300 | 4 250 | 5 950 | 9 400 | 13 350 |
| Material | | Glassfibre | Glassfibre | Glassfibre | Glassfibre | Glassfibre | Glassfibre | Glassfibre | Glassfibre |
| Diameter | | 600 | 800 | 1 000 | 1 250 | 1 700 | 2 000 | 2 500 | 3 000 |
| Total height in mm | | 3 320 | 3 630 | 4 150 | 4 545 | 5 185 | 5 700 | 6 800 | 7 400 |