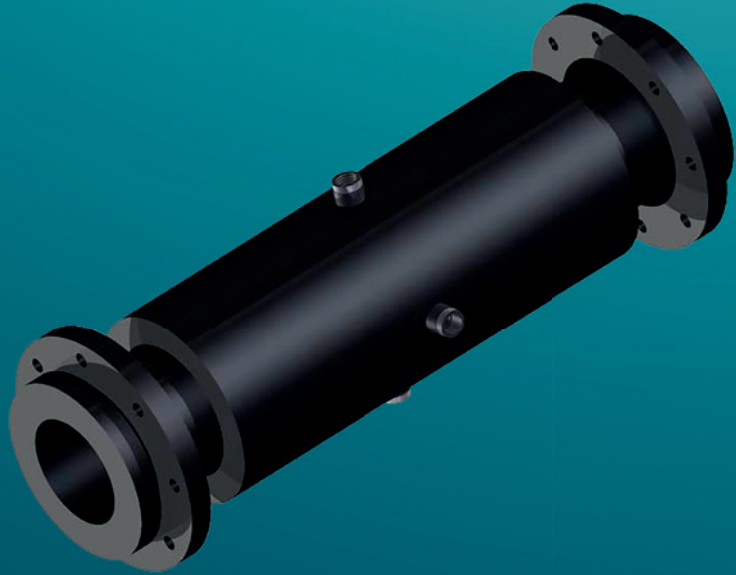


SaturOx[®] – SW

Direct injection of oxygen



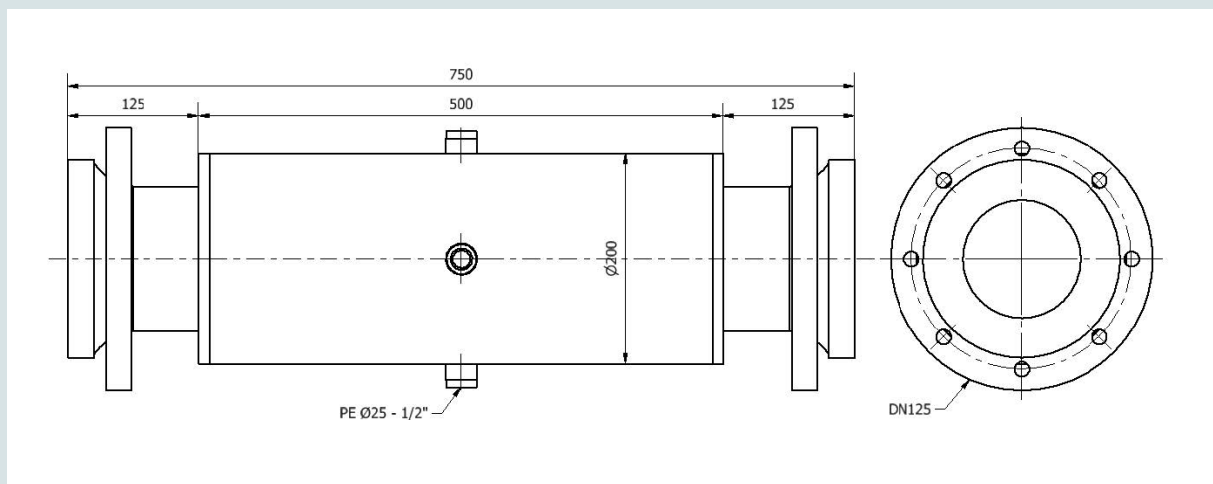
Effective low-pressure part-stream oxygenation of seawater by direct injection of oxygen based on the ejector principle.

- Oxygen dosing can be linked to measurement of oxygen saturation in the tank.
- Complete with jet nozzles, frost plug and 2 gas inlets.
- Easy to maintain, rinsed with freshwater as needed.

CAPACITIES

Product	E2450-SW	E1850-SW	E1500-SW	E1050-SW	E0850-SW	E0680-SW	E0550-SW	E0380-SW	E0290-SW	E0230-SW	E0190-SW	E0130-SW	E0100-SW
Flow l/min	2 450	1 850	1 500	1 050	850	680	550	380	290	230	190	130	100
Pressure (MWC)	3.0	3.0	3.0	3.0	3.0	3.0	3.0	3.0	3.0	3.0	3.0	3.0	3.0
Oxygen kg/h	9.0	6.8	5.5	3.9	3.1	2.5	2.0	1.4	1.1	0.8	0.7	0.5	0.4
Flow l/min	3 060	2 310	1 870	1 310	1 060	850	680	470	360	280	230	160	120
Pressure (MWC)	4.6	4.6	4.6	4.6	4.6	4.6	4.5	4.5	4.6	4.4	4.3	4.5	4.3
Oxygen kg/h	11.3	8.5	6.9	4.8	3.9	3.1	2.5	1.7	1.3	1.0	0.8	0.6	0.4
Flow l/min	3 670	2 770	2 250	1 570	1 270	1 020	820	570	430	340	280	190	150
Pressure mWC	6.7	6.7	6.7	6.7	6.6	6.7	6.6	6.7	6.5	6.5	6.5	6.4	6.7
Oxygen kg/h	13.5	10.2	8.3	5.8	4.7	3.8	3.0	2.1	1.6	1.3	1.0	0.7	0.6
Flow l/min	4 280	3 230	2 620	1 830	1 480	1 190	960	660	500	400	330	220	170
Pressure mWC	9.1	8.9	9.0	8.9	8.9	9.0	8.9	8.8	8.8	8.9	8.8	8.5	8.6
Oxygen kg/h	15.7	11.9	9.6	6.7	5.4	4.4	3.5	2.4	1.8	1.5	1.2	0.8	0.6
Flow l/min	4 900	3 700	3 000	2 100	1 700	1 360	1 100	760	580	460	380	260	200
Pressure mWC	12.0	12.0	12.0	12.0	12.0	12.0	12.0	12.0	12.0	12.0	12.0	12.0	12.0
Oxygen kg/h	18.0	13.6	11.0	7.7	6.3	5.0	4.0	2.8	2.1	1.7	1.4	1.0	0.7

The calculations are based on pure seawater at 12°C and 3.3%.



The diagram shows dimensions for SaturOx – E2450-SW.