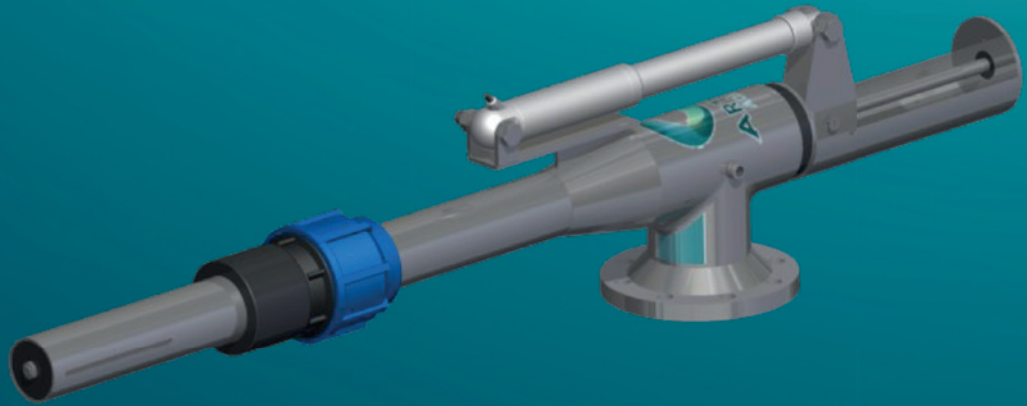


VariOx[®]

Automatic blending with oxygenated water



A new and unique product for oxygenation. With VariOx, the oxygen can be added to a part of the water stream.

VARIOX IS NORMALLY DELIVERED WITH:

- The dosing point will usually be the pipe leading to each individual tank.
- Comes with an electric actuator controlled by a PLC that receives signals from an oxygen sensor submerged in the tank.
- Made of PE and SS316, and tested under extreme weather conditions.
- Designed to withstand typical Norwegian winter weather.
- IP class 68 actuator.

UNIQUE FEATURES OF VARIOX:

- Doses highly oxygenated water directly into the water stream, thereby significantly reducing any deoxygenation.
- Controlled by an electric actuator.
- Very robust, operationally reliable and easy to install.
- Remains in the same position in the event of power failure.

DESCRIPTION

- The oxygen saturation in the tanks is measured using a PLC and an oxygen sensor submerged in the tank. The PLC interprets the oxygen saturation in the tank and signals to VariOx to increase or reduce the oxygenation.
- Adding highly oxygenated water using VariOx makes for quick, continuous and accurate oxygenation control.
- VariOx is made of high-quality materials and is extremely reliable.
- It minimises well-known problems like degassing and the risk that the water flow will be blocked by pockets of gas.
- VariOx includes an electronic device that can be installed on a DIN rack. It receives signals from a control system (0–10VDC) concerning the desired opening and adjusts the width of the opening according to whether more or less oxygenated water should be input to the point at which it is mixed with the flow. Compared with other systems, VariOx has a 'fail-still' function, which means that it will remain in the same position until the power supply is running again.
- VariOx with outlet diameters of Ø32, Ø50 and Ø75 is designed for pipe dimensions from Ø90 to Ø630.
- VariOx comes ready for installation in acid-proof steel with a PE pipe welding sleeve, electrical actuator with sensor, 9 m cable and a 1/4" PVC frost plug.

Type	VariOx dimensions								Water flow rate (lpm)			
	ø 1	DN	L 1	L 2	L 3	L 4	H 1	H 2	1 bar	2 bar	3 bar	4 bar
VariOx - 032	32	50	400	217	60	657	106	70	170	240	300	350
VariOx - 050	50	50	600	254	97	913	106	70	540	760	930	1 070
VariOx - 075	75	100	900	tba	tba	tba	154	147	1400	1980	2 420	2 800

