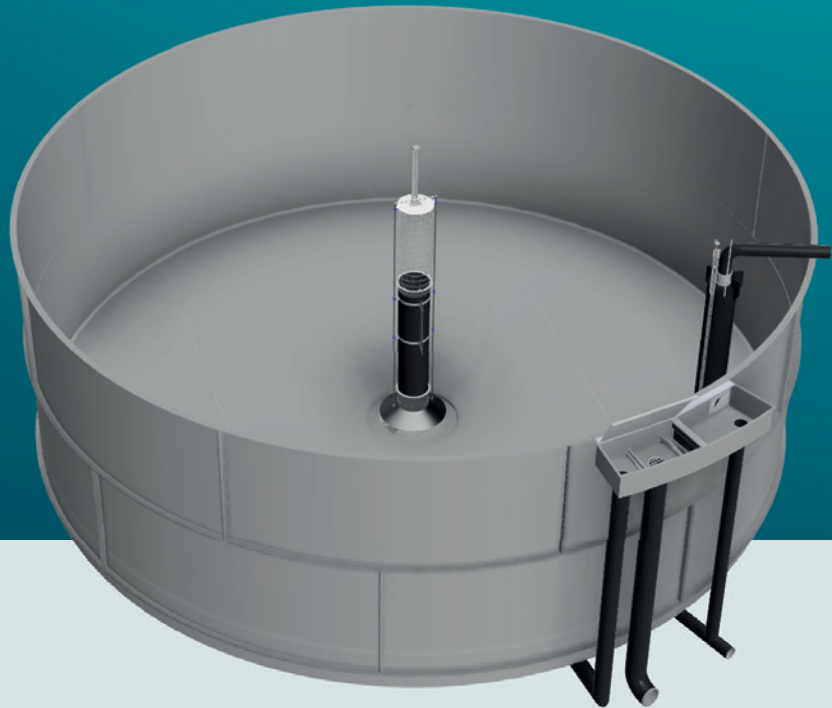


Tubs and tanks for fish farming

All sizes of glass fibre tanks



FUNCTIONS AND BENEFITS:

- Supplier of tubs and tanks of glass fibre reinforced polyester (GRP) for fish farming and the fisheries industry.
- Wide selection of traditional tanks, smolt tanks and first feeder tanks.
- Complete installation at fixed prices all over Norway.

Tubs and tanks for fish farming

EQUIPMENT

Tanks: We use suppliers with long experience of producing tubs and tanks in glassfibre reinforced polyester (GRP) for fish farming and the fisheries industry.

Sizes: Up to 4-metre-high tanks with diameters between 2 and 16 metres. This corresponds to volumes of between 3,000 and 800,000 litres. Sizes above this can also be supplied.

Interior surface: Use of high-quality gelcoat ensures strong and smooth interior finish. Neither the GRP nor the gelcoat produce any harmful discharges, smell or taste. The tanks are approved for storage of drinking water.

Choice of colour: The customer can choose the colour of the tank, but experience suggests that light grey colours are most favourable and most frequently used.

Manhole: The tanks can be delivered with manhole for easy access during maintenance and cleaning.

VarioStreamer/slotted pipe: We recommend using VarioStreamer™ or a slotted pipe to achieve optimal water hydraulic in the tank.

Dead fish collection system/fish transportation:

Tower strainer: For draining dead fish, feed spill and sludge.

Centre outlets: Our series of centre outlets cover all tank sizes.

FishTrap: Mounted at the rim of the tank to collect dead fish and control the water level.

Walkways/railings: Walkways, railings, jump barriers etc. can be adapted and installed above/around the tanks.

Installation: Tanks are installed in accordance with the manufacturers instructions.

