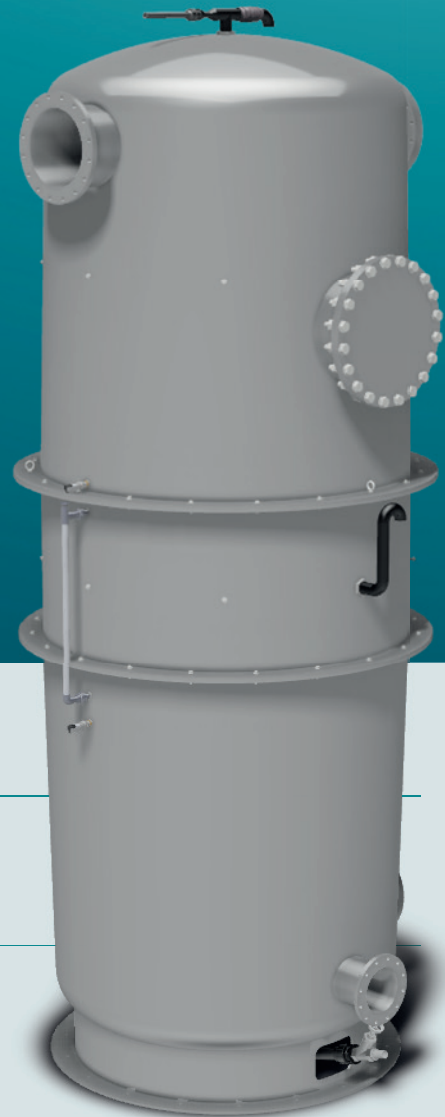


DeGasso[®] LV

Vacuum aerator, in-line at 5% vacuum



Aerates the water stream to the right saturation level.

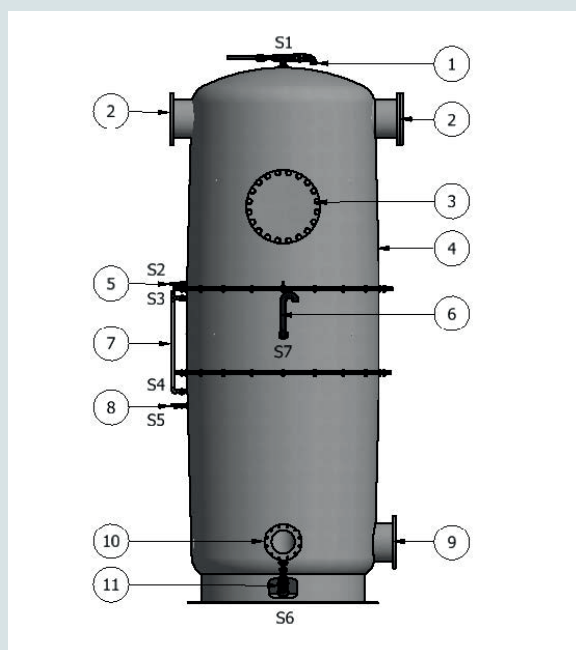
Water volumes from 500–26,700 litres.

BENEFITS:

- DeGasso[®] LV is a container for reducing the nitrogen content of over-saturated water.
- The solution is particularly suitable for preventing oversaturation in water that has been heated.
- DeGasso[®] LV is highly reliable and can often be operated without a pumping station.
- It can be controlled, if necessary, by using a controller, PLC or frequency converter.

COMPONENTS

1. Pipe connector for BlowerRack/safety valve
2. Water inlet (flange at both ends of the pipe, blind flange at one end)
3. Manhole
4. DeGasso® LV glass fibre tank
5. Pressure transmitter
6. Goose neck
7. Level gauge
8. Pressure transmitter
9. Outlet for aerated water
10. Overflow
11. Drainage



DELIVERY OF DEGASSO® LV NORMALLY INCLUDES:

- Safety valve
- Bottom drain valve
- Flowmeter
- BlowerRack with backup blower (Fig. 1)
- Pressure transmitter for level gauging
- Level glass
- Operating temperature: 0–30 ° C
- Maximum pressure: 0.05 barg
- Maximum vacuum: –0.05 barg



Connection pipes and threaded connections									
Pos.	Description	DeGasso® LV 600	DeGasso® LV 800	DeGasso® LV 1000	DeGasso® LV 1250	DeGasso® LV 1700	DeGasso® LV 2 000	DeGasso® LV 2 500	DeGasso® LV 3 000
S-1	Pipe connector for vacuum panel	2"	2"	2"	2"	2"	2"	2"	2"
S-2	Pipe connector for pressure gauge/transmitter	1"	1"	1"	1"	1"	1"	1"	1"
S-3	Pipe connector for level gauge	1"	1"	1"	1"	1"	1"	1"	1"
S-4	Pipe connector for level gauge	1"	1"	1"	1"	1"	1"	1"	1"
S-5	Pipe connector for pressure gauge/transmitter	1"	1"	1"	1"	1"	1"	1"	1"
S-6	Pipe connector for drainage	1"	1"	1"	1"	2"	2"	2"	2"
S-7	Goose neck	-	-	1"	1"	2"	2"	2"	2"
Inlet	Inlet DN	125	150	200	250	300	400	500	2x400
Out	Outlet DN (closed tank)	125	150	200	250	300	400	500	600
MH	Manhole Ø	-	-	600	600	600	600	600	600
OL	Overflow	Integral flange DN80 GUP	Sleeve Ø110 PVC	Sleeve Ø125 PVC	Sleeve Ø160 PVC	Sleeve Ø200 PVC	Sleeve Ø250 PVC	Sleeve Ø315 PVC	Sleeve Ø400 PVC
Capacity l/min.	'Clean' water	1,000	1,800	2,900	4,600	8,500	11,900	18,800	26,700
	Humus water	700	1,200	1,950	3,000	5,700	7,900	12,500	17,700
	Seawater	500	900	1,450	2,300	4,250	5,950	9,400	13,350
Material		Glassfibre	Glassfibre	Glassfibre	Glassfibre	Glassfibre	Glassfibre	Glassfibre	Glassfibre
Diameter		600	800	1,000	1,250	1,700	2,000	2,500	3,000
Total height in mm		3,320	3,630	4,150	4,545	5,185	5,700	6,800	7,400